


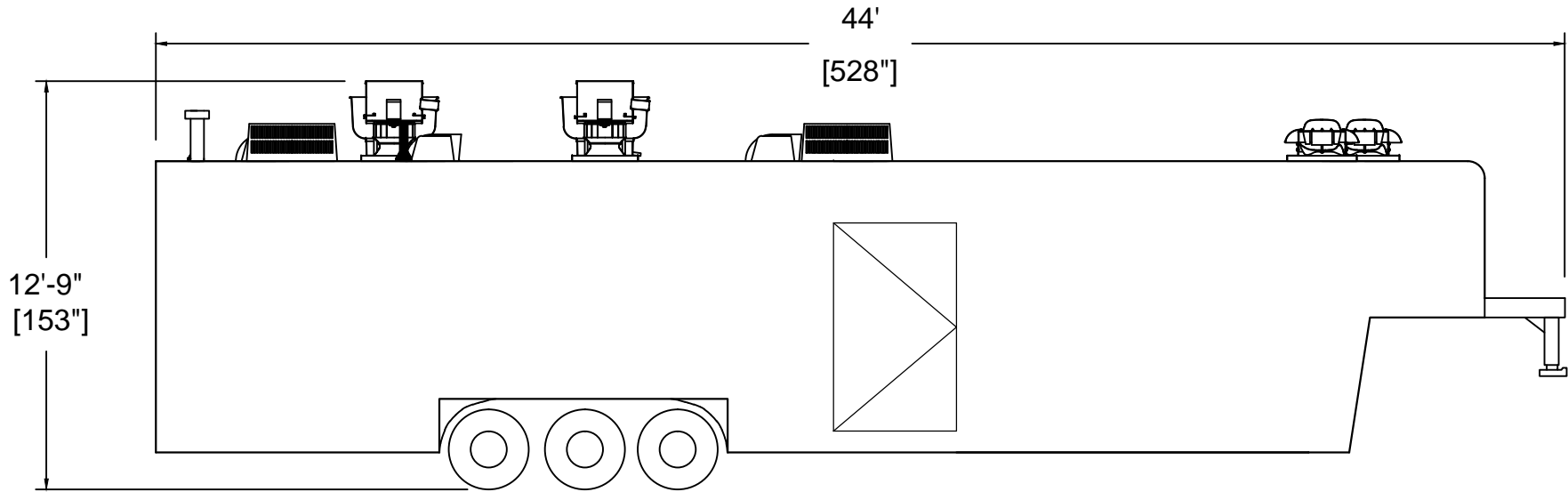
NOTES:

FRESH WATER HOOKUP
 SIZE 3/4-8 MPT

PROPANE HOOKUP
 Low Pressure Regulator

ELECTRICAL HOOKUP
 240VAC/100A SPLITTER

	<h1>KITCHEN F44-7IP</h1>		
	<h2>Exterior - Road Side</h2>		
NOTES:	SIZE: ANSI A	DWG FILE: F44-7IP	REV. 1.0
	SCALE: 3/16" = 1'	NAME: HMCLAREN	SHEET: 1 of 12



KITCHEN F44-7IP

Exterior - Curb Side

NOTES:

SIZE: ANSI A

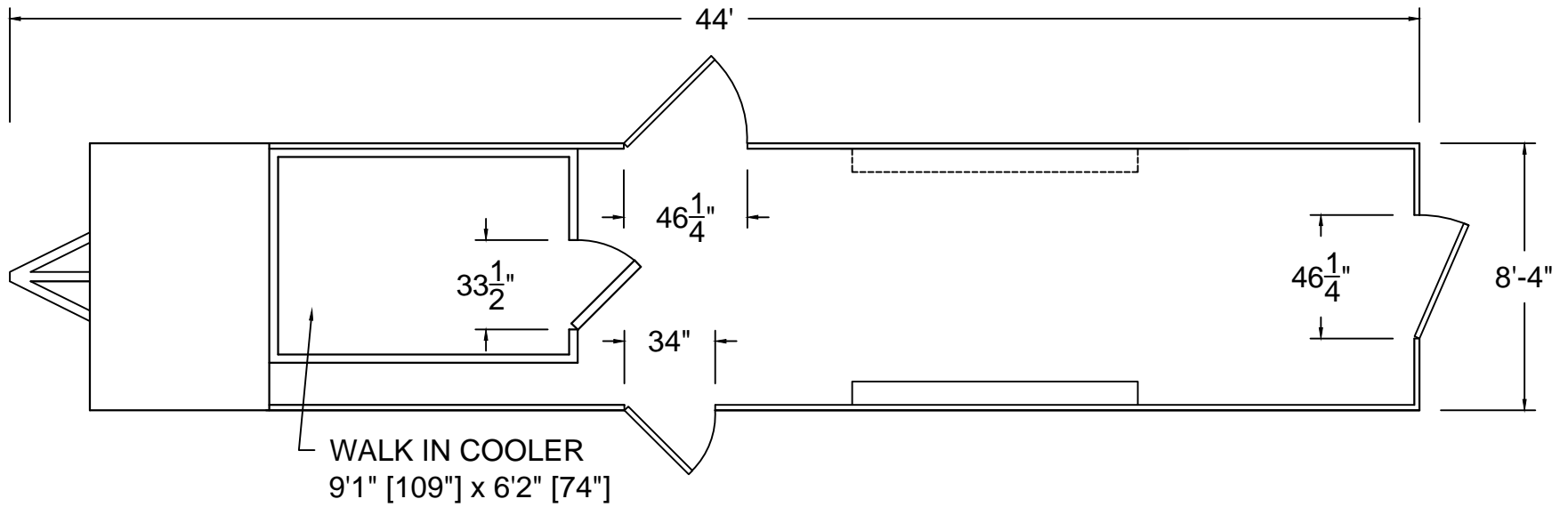
DWG FILE: F44-7IP

REV. 1.0

SCALE: 3/16" = 1'

NAME: HMCLAREN

SHEET: 2 of 12



KITCHEN F44-71P

Dimensions

NOTES:

SIZE: ANSI A

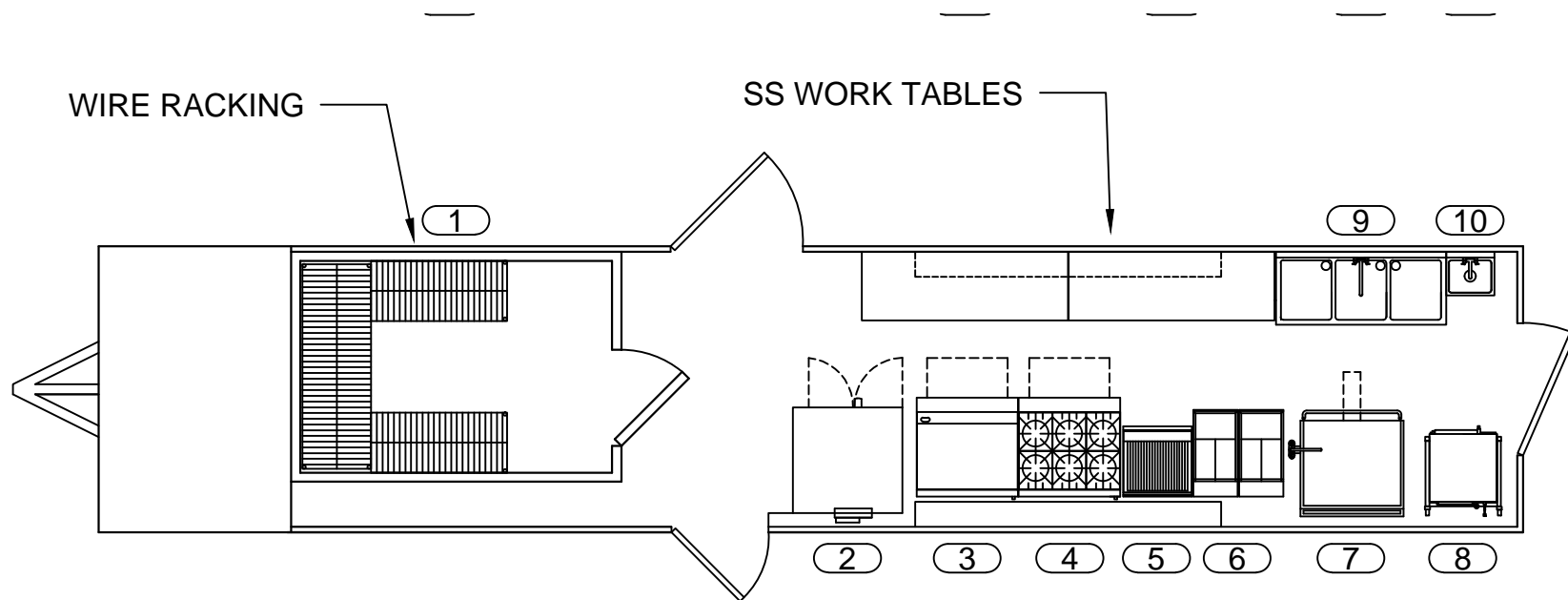
DWG FILE: F44-71P

REV. 1.0

SCALE: 3/16" = 1'

NAME: HMCLAREN

SHEET: 3 of 12



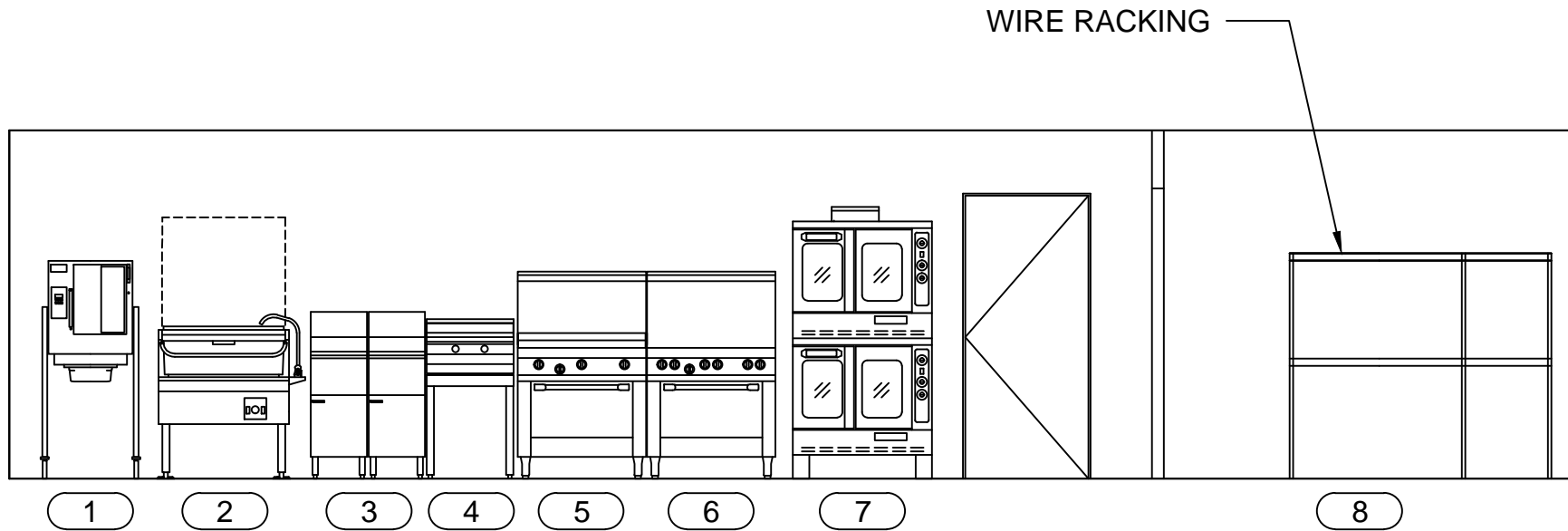
- ① WALK IN COOLER (109"X75")
- ② DOUBLE CONVECTIONS (BLODGETT SHO-100-G)
- ③ FLAT TOP (GARLAND G36-G36R)
- ④ 6 BURNER WITH OVEN (GARLAND G36-R)
- ⑤ BROILER (GARLAND GD-24RB)
- ⑥ [2] DEEP FRYER (PITCO 40C+)
- ⑦ TILT SKILLET (CLEVELAND RANGE SGL30TR)
- ⑧ STEAMER (ACCUTEMP %\$#%\$#%\$#)
- ⑨ KITCHEN SINK, 3-BASIN
- ⑩ HAND SINK



KITCHEN F44-7IP

Equipment - Floor Plan

NOTES:	SIZE: ANSI A	DWG FILE: F44-7IP	REV. 1.0
	SCALE: 3/16" = 1'	NAME: HMCLAREN	SHEET: 4 of 12



- ① STEAMER (ACCUTEMP %&*\$#%)
- ② TILT SKILLET (CLEVELAND RANGE SGL30TR)
- ③ [2] DEEP FRYER (PITCO 40C+)
- ④ BROILER (GARLAND GD-24RB)
- ⑤ 6 BURNER WITH OVEN (GARLAND G36-R)
- ⑥ FLAT TOP (GARLAND G36-G36R)
- ⑦ DOUBLE CONVECTIONS (BLODGETT SHO-100-G)
- ⑧ WALK IN COOLER



KITCHEN F44-7IP

Equipment - Road Side

NOTES:

SIZE: ANSI A

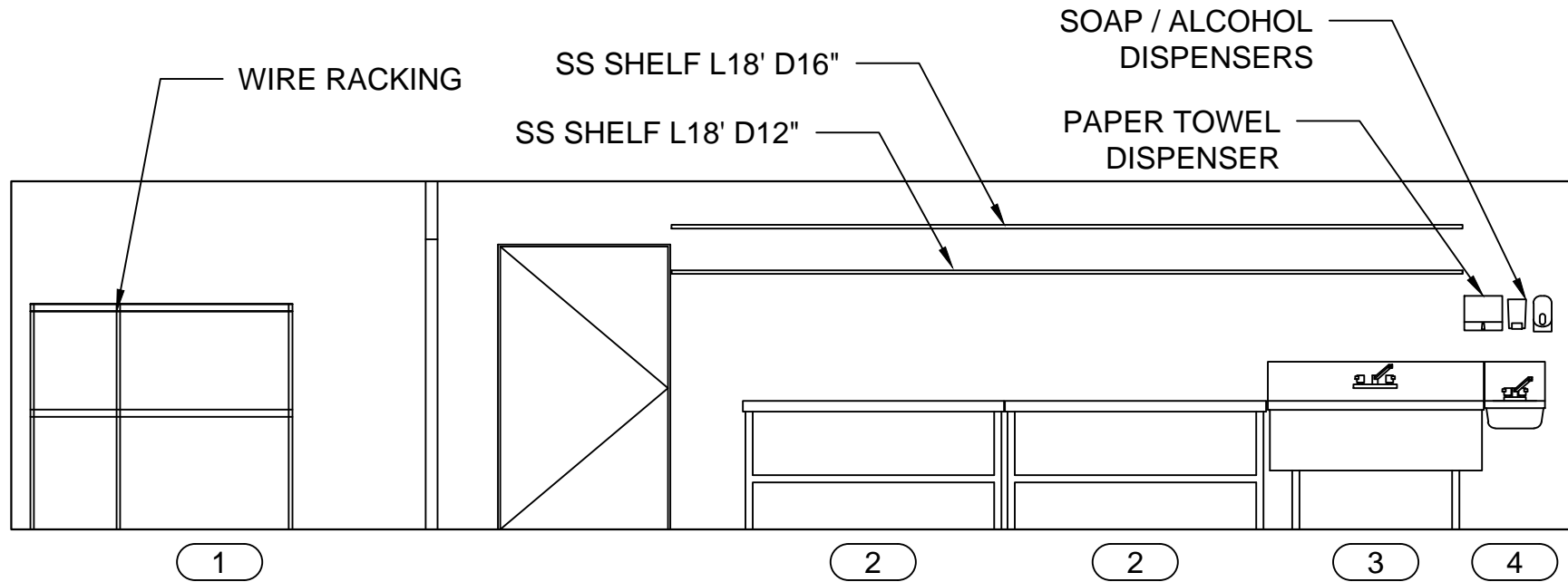
DWG FILE: F44-7IP

REV. 1.0

SCALE: 1/4" = 1'

NAME: HMCLAREN

SHEET: 5 of 12



- ① WALK IN COOLER
- ② STAINLESS STEEL WORK TABLE
- ③ KITCHEN SINK, 3-BASIN
- ④ HAND SINK



KITCHEN F44-7IP

Equipment - Curb Side

NOTES:

SIZE: ANSI A

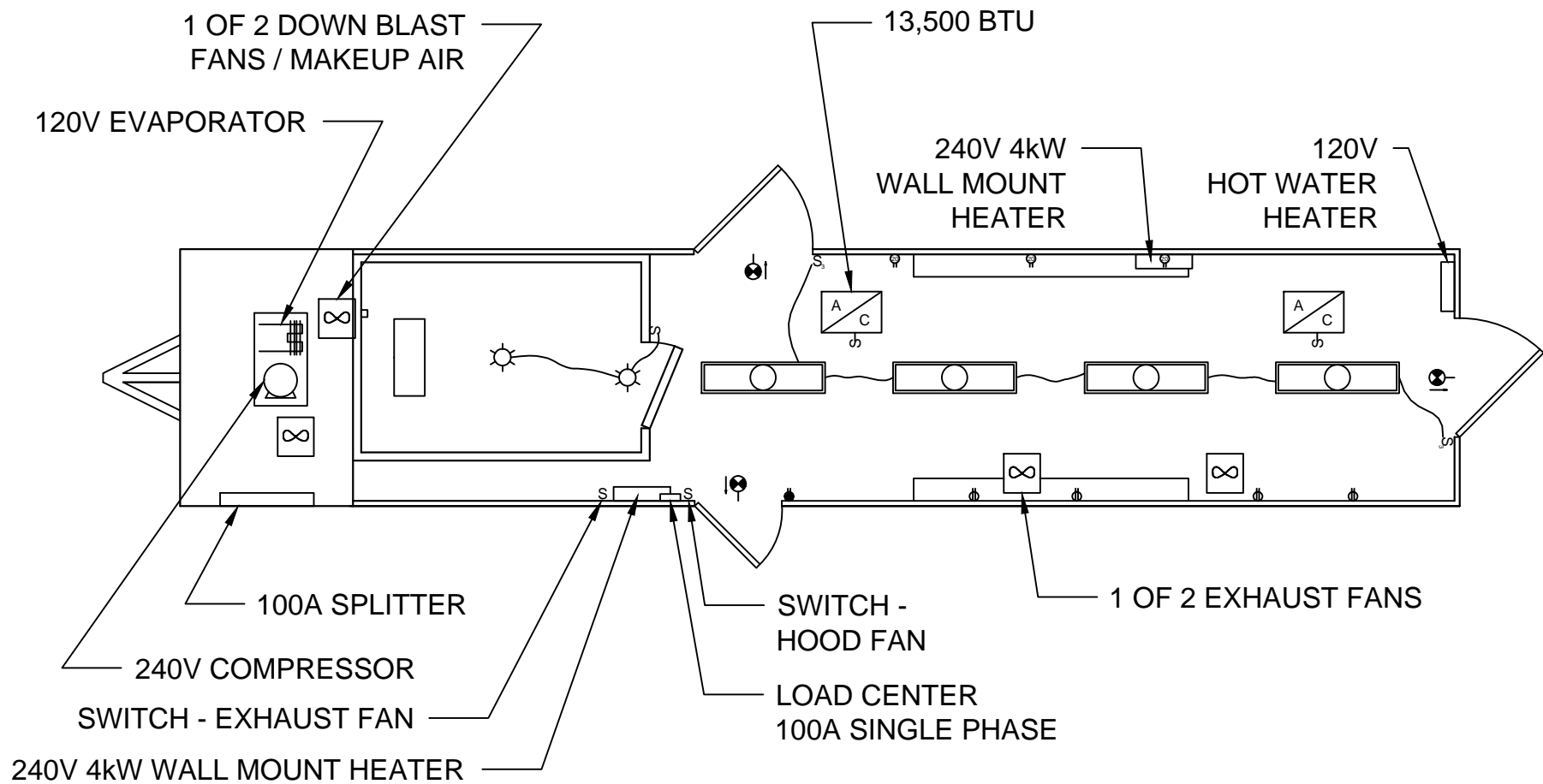
DWG FILE: F44-7IP



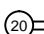

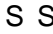
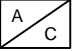

REV. 1.0

SCALE: 1/4" = 1'

NAME: HMCLAREN

SHEET: 6 of 12



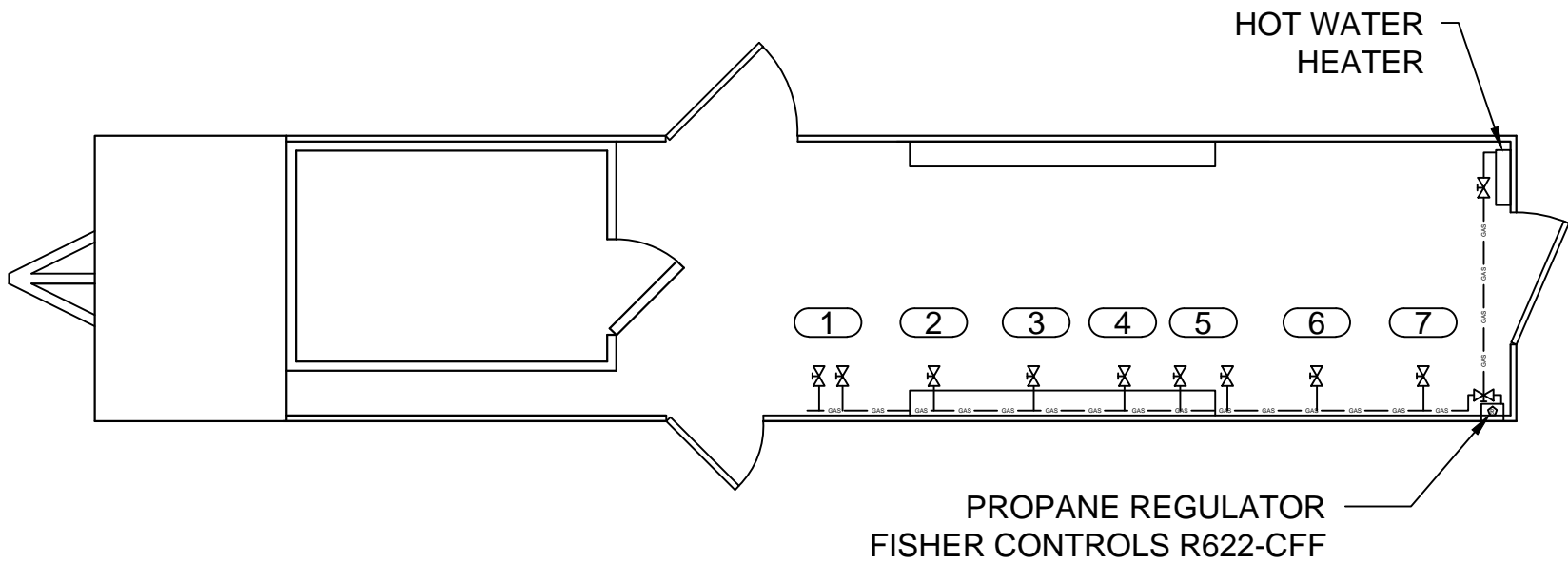
-  15A DUPLEX RECEPTACLE
-  15A SPLIT RECEPTACLE
-  20A DUPLEX RECEPTACLE
-  4' FLUORESCENT LIGHTS
-  SWITCH / 3-WAY SWITCH
-  ROOFTOP A/C UNIT
-  EXIT SIGN



KITCHEN F44-71P

Floor Plan - Electrical

SIZE: ANSI A	DWG FILE: F44-71P	REV. 1.0
SCALE: 3/16" = 1'	NAME: HMCLAREN	SHEET: 7 of 12



- ① DOUBLE CONVECTIONS (BLODGETT SHO-100-G)
- ② 6 BURNER WITH OVEN (GARLAND G36-R)
- ③ FLAT TOP (GARLAND G36-G36R)
- ④ BROILER (GARLAND GD-24RB)

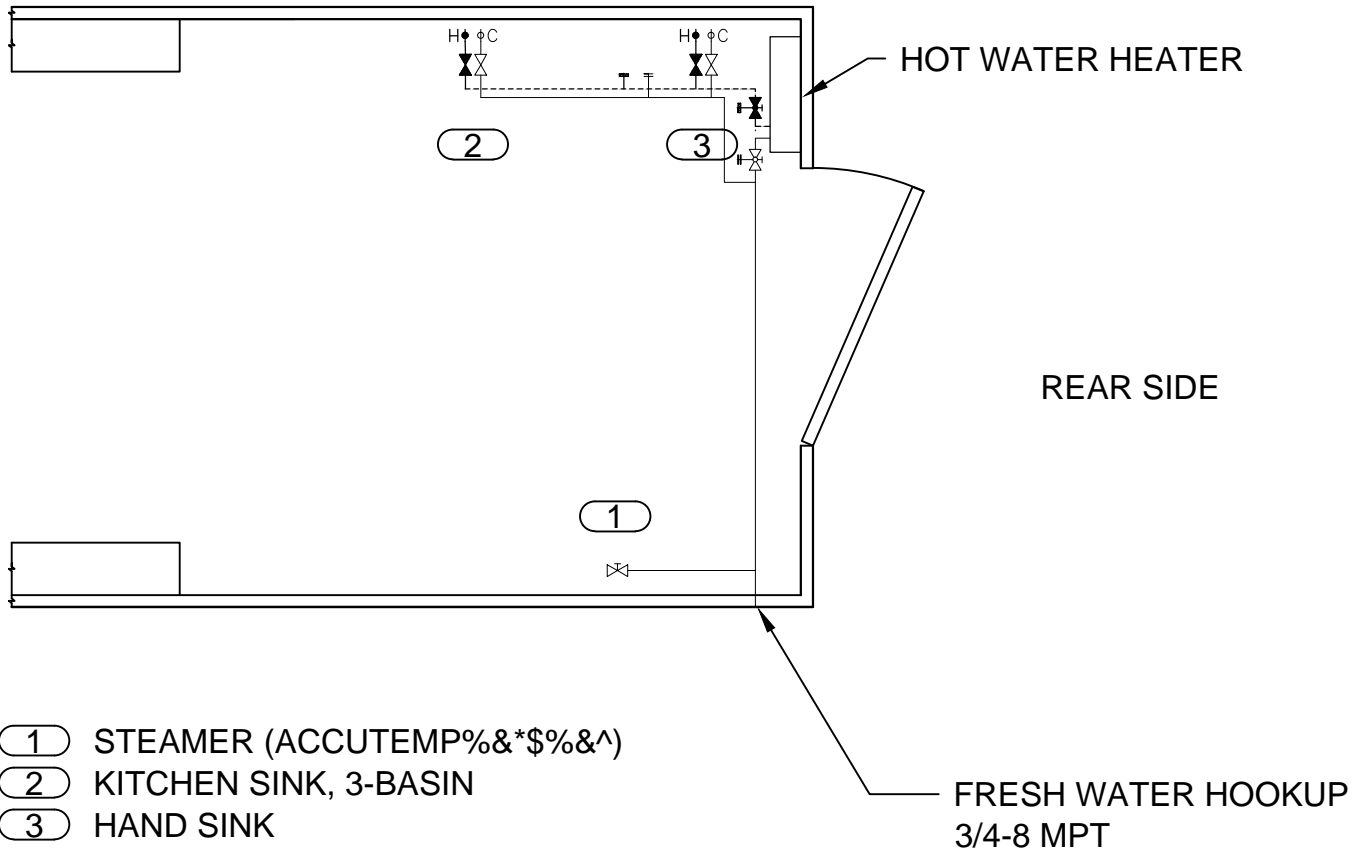
- ⑤ [2] DEEP FRYER (PITCO 40C+)
- ⑥ TILT SKILLET (CLEVELAND RANGE SGL30TR)
- ⑦ STEAMER (ACCUTEMP %\$#%\$#%\$#)



KITCHEN F44-7IP

Floor Plan - Propane


SIZE: ANSI A	DWG FILE: F44-7IP	REV. 1.0
SCALE: 3/16" = 1'	NAME: HMCLAREN	SHEET: 8 of 12

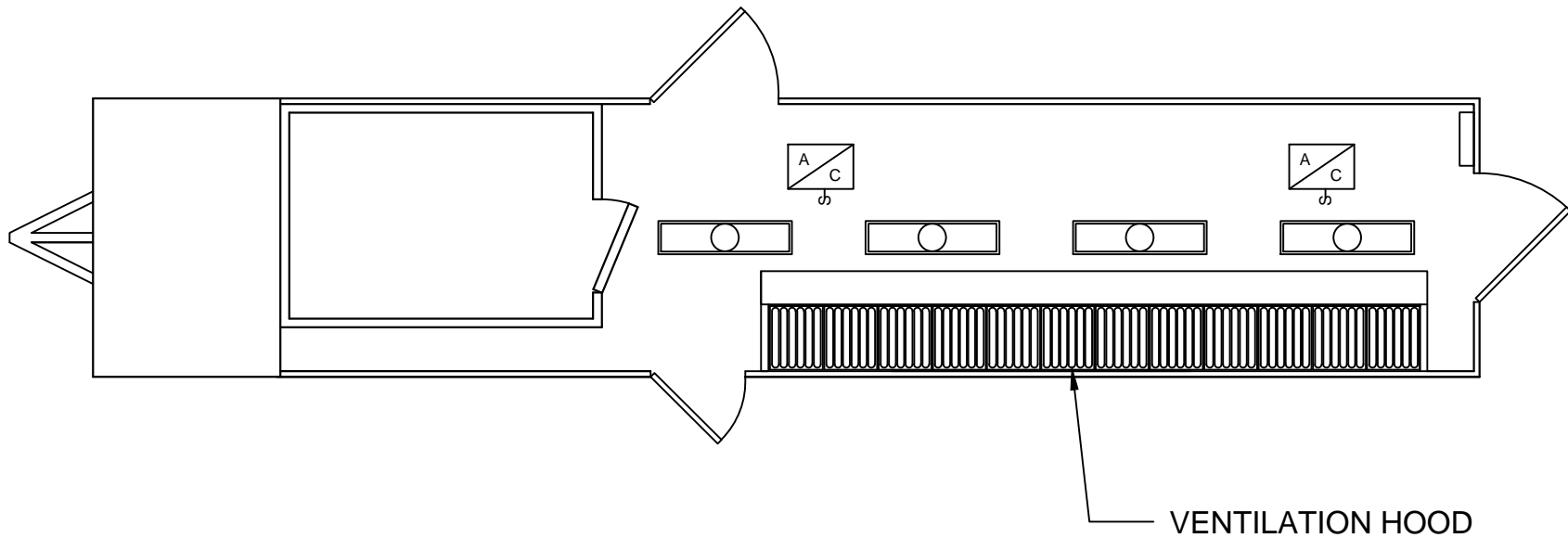


- ① STEAMER (ACCUTEMP%&*\$%&^)
- ② KITCHEN SINK, 3-BASIN
- ③ HAND SINK

NOTES:

ON DEMAND HOT WATER HEATER
 PROPANE
 17,500 - 140,000 BTU
 120VAC, 60Hz

	KITCHEN F44-7IP		
	Flr.Plan - Water Supply		
SIZE: ANSI A	DWG FILE: F44-7IP	REV. 1.0	
SCALE: 3/8" = 1'	NAME: HMCLAREN	SHEET: 9 of 12	



KITCHEN F44-7IP

Reflected Ceiling Plan

NOTES:

SIZE: ANSI A

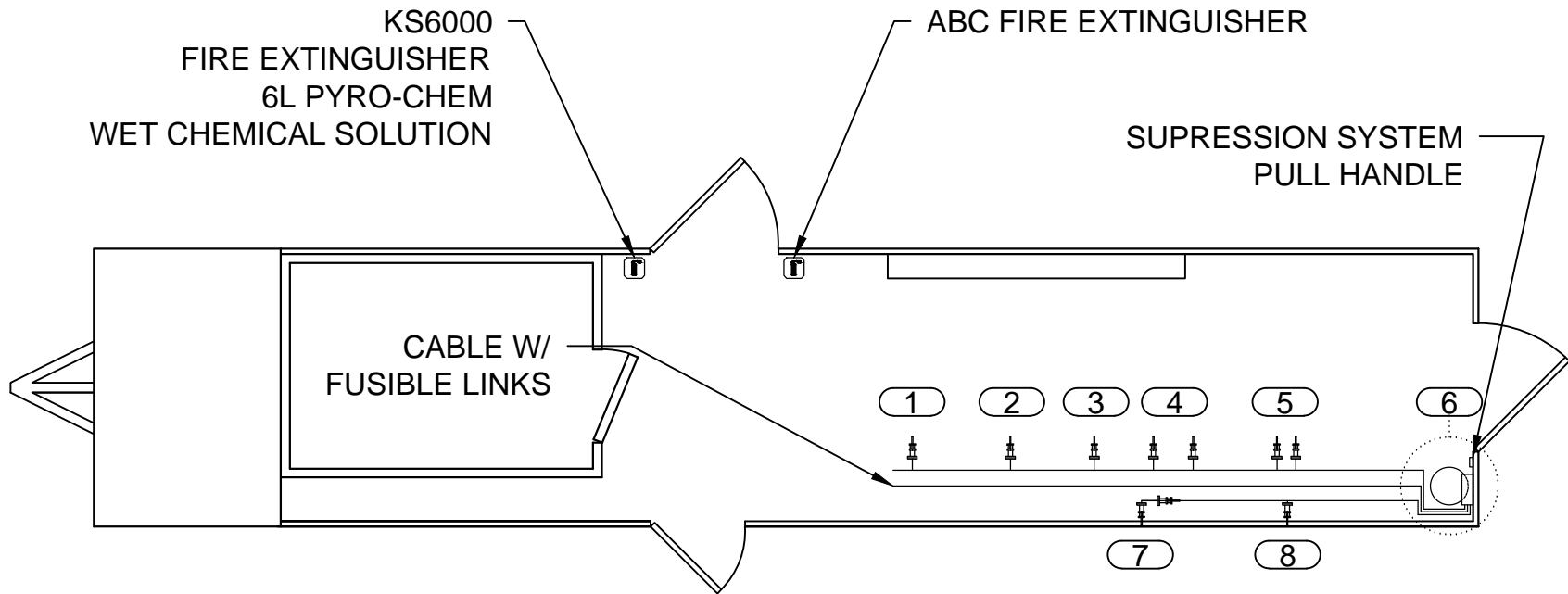
DWG FILE: F44-7IP

REV. 1.0

SCALE: 3/16" = 1'

NAME: HMCLAREN

SHEET: 10 of 12



- | | |
|---|--|
| <ul style="list-style-type: none"> ① FLAT TOP (GARLAND G36-G36R) ② 6 BURNER WITH OVEN (GARLAND G36-R) ③ BROILER (GARLAND GD-24RB) ④ [2] DEEP FRYER (PITCO 40C+) | <ul style="list-style-type: none"> ⑤ TILT SKILLET (CLEVELAND RANGE SGL30TR) ⑥ FIRE SUPPRESSION SYSTEM (BFR-15) ⑦ EXHAUST FAN 1 ⑧ EXHAUST FAN 2 |
|---|--|

IN CASE OF FIRE:

- 1) ACTIVATE FIRE SUPPRESSION SYSTEM
- 2) SOUND ALARM/CALL FIRE DEPT.
- 3) IF PRACTICAL, STANDBY WITH FIRE EXTINGUISHER TO SUPPLEMENT ANY NECESSARY EXTINGUISHMENT NEEDS.

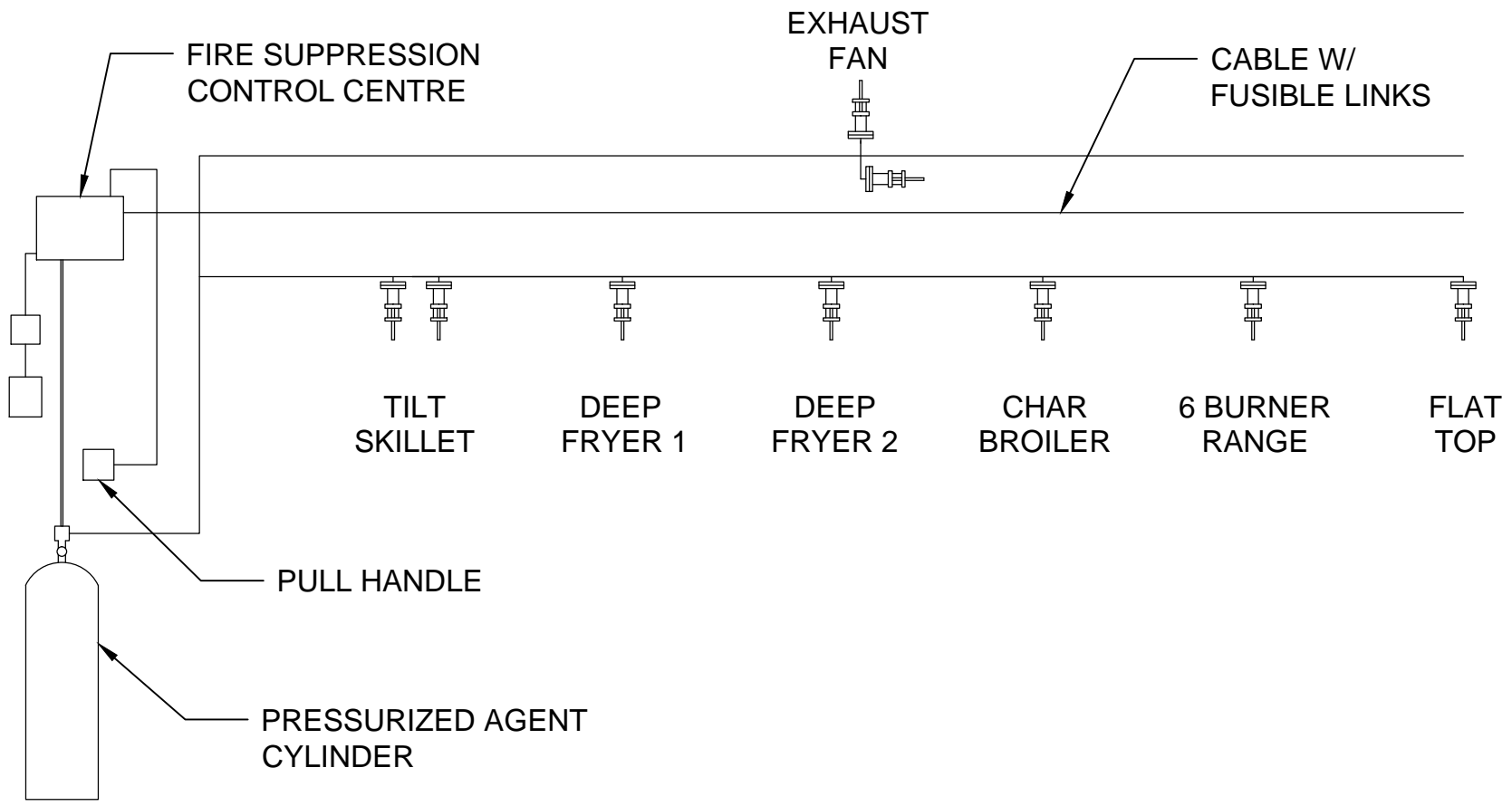


KITCHEN F44-7IP

Fir.Plan - Fire Suppression

NOTES:

SIZE: ANSI A	DWG FILE: F44-7IP	REV. 1.0
SCALE: 3/16" = 1'	NAME: HMCLAREN	SHEET: 11 of 12



KITCHEN F44-7IP

Fire Suppression System

NOTES:

SIZE: ANSI A

DWG FILE: F44-7IP

REV. 1.0

SCALE: NTS

NAME: HMCLAREN

SHEET: 12 of 12

